

Dry fixed ridge tile system with continuous ventilation nailed to ridge board, as roof tile manufacturer's recommendations _____

Minimum 600 wide Ondutiss roofing membrane laid over ridge _____

Plain tiles, fixed in accordance with roof tile manufacturer's guidelines * _____

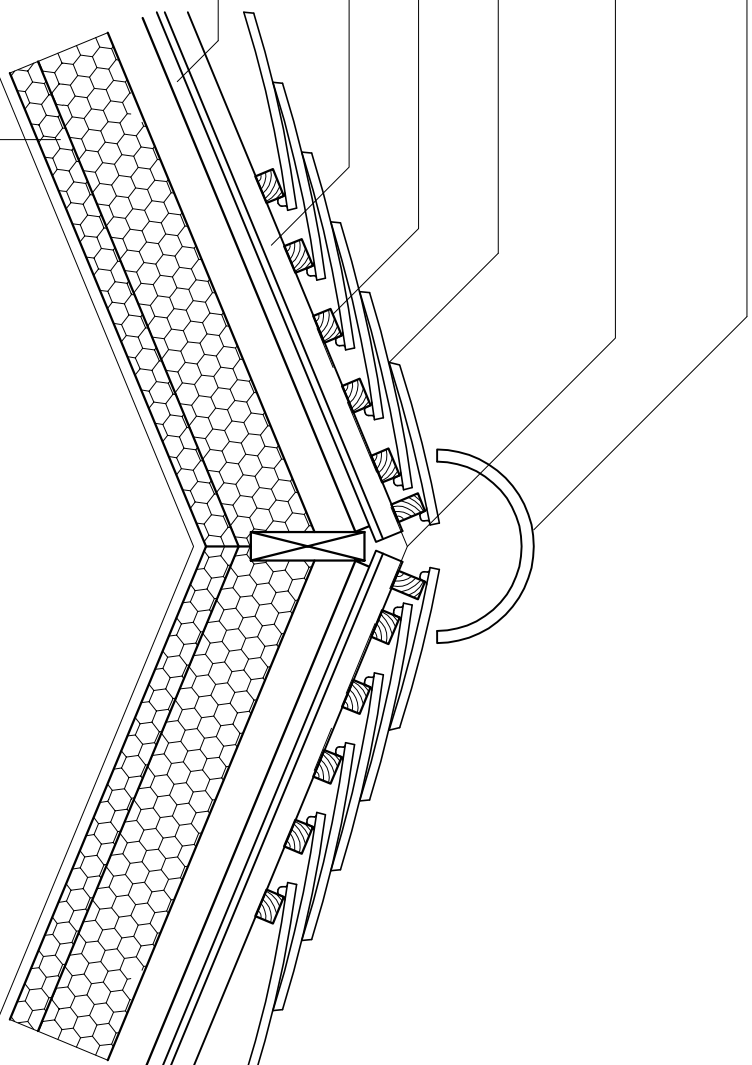
38 x 25 tile battens _____

Ondutle sheeting _____

20mm plywood sarking board leaving 25mm wide high level ventilation slot _____

50x50 battens under rafters, as required to ensure 50mm airspace over PIR insulation placed between and under rafters in accordance with insulation manufacturer's requirements _____

* Consult with roof tile manufacturer in respect of low pitch and increased wind uplift



Cold Deck Roof with Plain Tile (22.5 degrees) (insulation at rafter level)