

## Accessories and Components

A comprehensive range of accessories add to the overall effectiveness, ease of fixing and professional appearance of Bardoline roof coverings.

### Eaves Tray

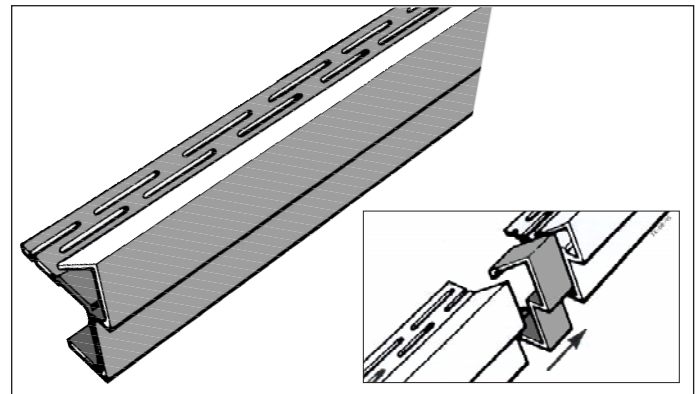
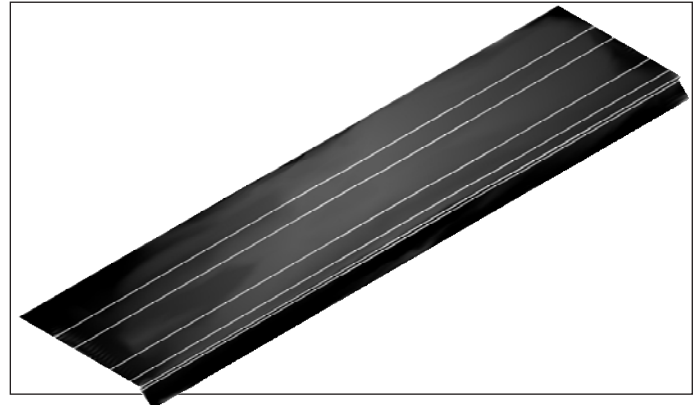
The eaves tray is fitted below the Bardoline shingles at the eaves, protecting the decking and forming a rainwater drip edge into the gutter.

Two types are available:

**Onduline Multi Purpose Eaves Tray:** Produced in flat sheet with indented fold lines allowing the drip edge to be formed on site

Material: uPVC. Length: 1275mm. Width: 300mm. Colour: Black. End Lap: 150mm. Thickness: 1.2mm.

**Bardoline Eaves Tray:** With preformed drip edge  
Material: uPVC. Length: 1500mm. Width: 265mm. Colour: Slate. End Lap: 150mm. Thickness: 1.5mm.  
Note: Ondutiss roof underlay membrane should overlay the eaves tray.



### Dry Verge System

These self draining verge units form a permanent weather tight, maintenance free, attractive finish into which the Bardoline tile strips can be easily inserted. Fix by nailing through moulded slots into the decking.

Material: uPVC. Colour: Slate Grey  
Length 2,440mm Weight 1.28kg per verge

**Verge Trims Connectors:** Push fit joint connectors are used to join the verge sections. At the ridge cut the verge unit to the ridge line and seal with sealing mastic.

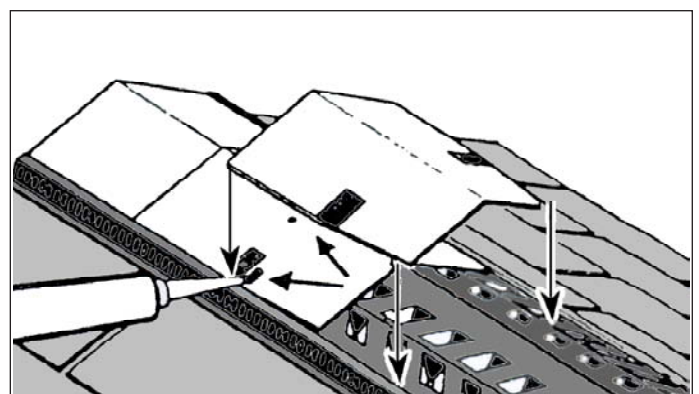
### Ridge Ventilators

The unique design allows the ridge ventilator to be overlaid with Bardoline ridge pieces cut from rectangular tile strips, creating a functional and aesthetically appealing ventilated ridge finish.

Material: 1.5 gauge polypropylene.  
Length: 845mm. [820mm cover]  
Weight 0.3kg. Width: 245mm. Insect Grill: 4mm.  
Ventilation area = 15,000mm<sup>2</sup>

Preparation: The roof deck at the ridge should provide a minimum continuous air gap of 15mm.

**Note:** Refer to the Bardoline fixing guide for comprehensive fixing instructions on the installation of all Bardoline components.



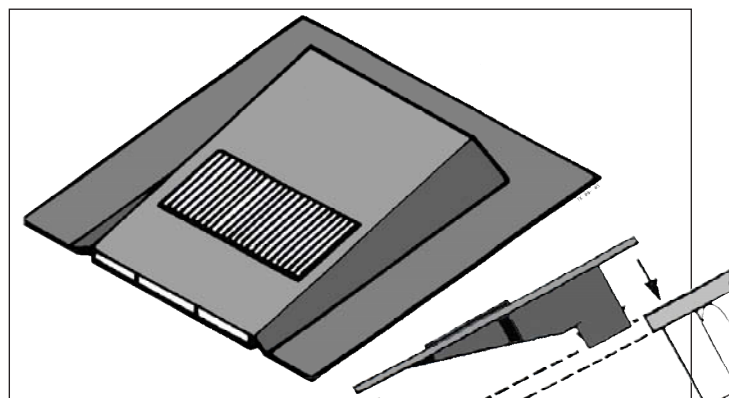
## In-Line Ventilator 12 -18° Degrees

Unobstrusive In-line roof ventilators are designed with low airflow resistance and profile to create a minimum of visual disruption of the roof line.

Material: Grey ABS copolymer. Size: 330 x 420mm.  
Weight: 0.7kg. Insect Grill: 4mm.

For use on roof pitches from 12° to 18° degrees.  
Ventilation area = 10,000mm<sup>2</sup>

Preparation: Ventilation units laid into 225 x 260mm opening in the roof deck.

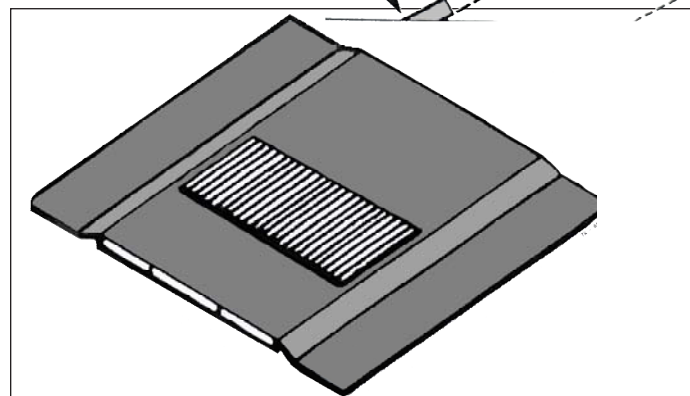


## In-Line Ventilator 18° Degrees & Over

Sharing the same innovative design and efficient ventilation performance as above, but with a flush profile, providing when cloaked with tile strips the ultimate in inconspicuous ventilator provision.

Material: Grey ABS copolymer. Size: 330 x 420mm.  
Weight: 0.7kg. Insect Grill: 4mm.

For use on roof pitches from 18° degrees and over.  
Ventilation area = 10,000mm<sup>2</sup>



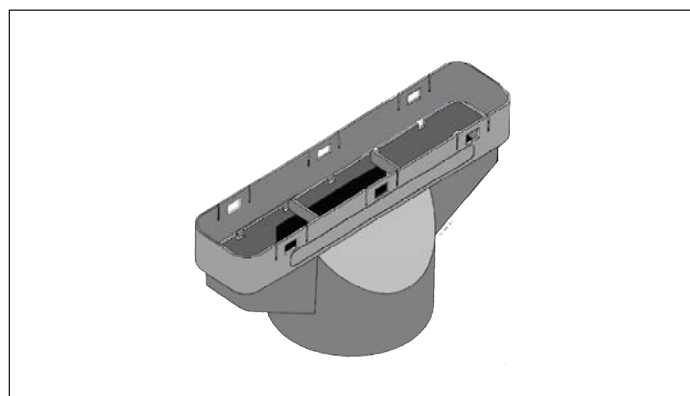
## In-Line Ventilators Pipe Connector

The push lock pipe connector quickly transforms the In-Line ventilators into soil ventilation pipe terminals.

Material: ABS copolymer.

Size: To connect to proprietary 110mm soil pipe systems.

**Note:** Refer to the Bardoline fixing guide for comprehensive fixing instructions on the installation of Bardoline components.



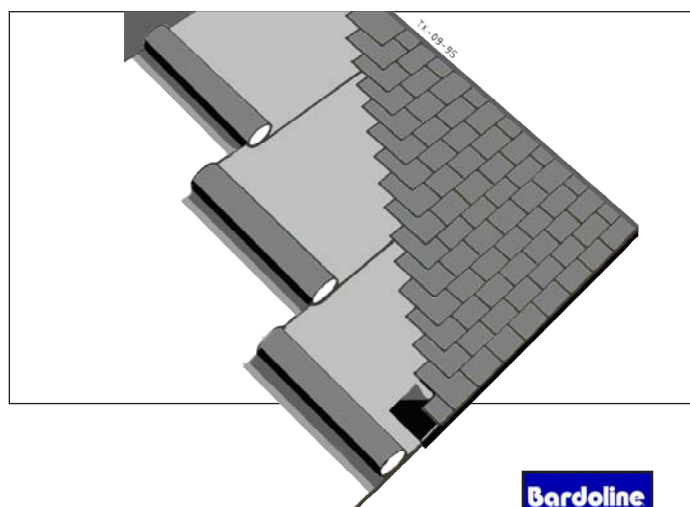
## Onduliss Underlay Membrane

A durable roofing membrane manufactured with non woven polyester reinforcement to provide a tough underlay for Bardoline roof tile strip.

Recommended for use on all roofs below 22° Degrees roof pitch.

Manufactured from non-perishable, unwoven polyester reinforcement base to oxidised bitumen

Size: 1 x 50m. Roll Side lap: 100mm. Weight 25 Kilo



# Onduline

### Onduline Building Products Limited

Eardley House,  
182-184 Campden Hill Road,  
Kensington, London W8 7AS.  
E-mail: [enquiries@onduline.net](mailto:enquiries@onduline.net)  
[www.onduline.net](http://www.onduline.net)  
Tel: 020 7727 0533  
Fax: 020 7792 1390

### Technical Fixing Guide

Contact our Sales Office to obtain a copy of the Bardoline Fixing Guide and details of the accessory range. Alternatively PDF down loads are available from our web-site: [www.onduline.net](http://www.onduline.net)

